


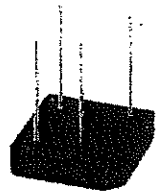

ELITE SEMICONDUCTOR PRODUCTS, INC.

860 North Richmond Ave. Lindenhurst, New York 11757
 PH 631-884-8400 / FX 631-884-8427 www.elitesemi.com



FB3500..... FB3510
 FB3500L..... FB3510L

35 Amp. Glass Passivated Bridge Rectifier

 • Terminals: FASTON ①	Voltage 50 to 1000 V	Current 35 A
 • Terminals: WIRE LEADS ②	 RoHS COMPLIANT	
<ul style="list-style-type: none"> • Glass Passivated Junction • UL recognized under component index file number E304417 • Terminals: FASTON ① • Terminals: WIRE LEADS ② • Max. Mounting Torque: 25 Kg x cm Lead and polarity identifications High surge current capability		

Maximum Ratings

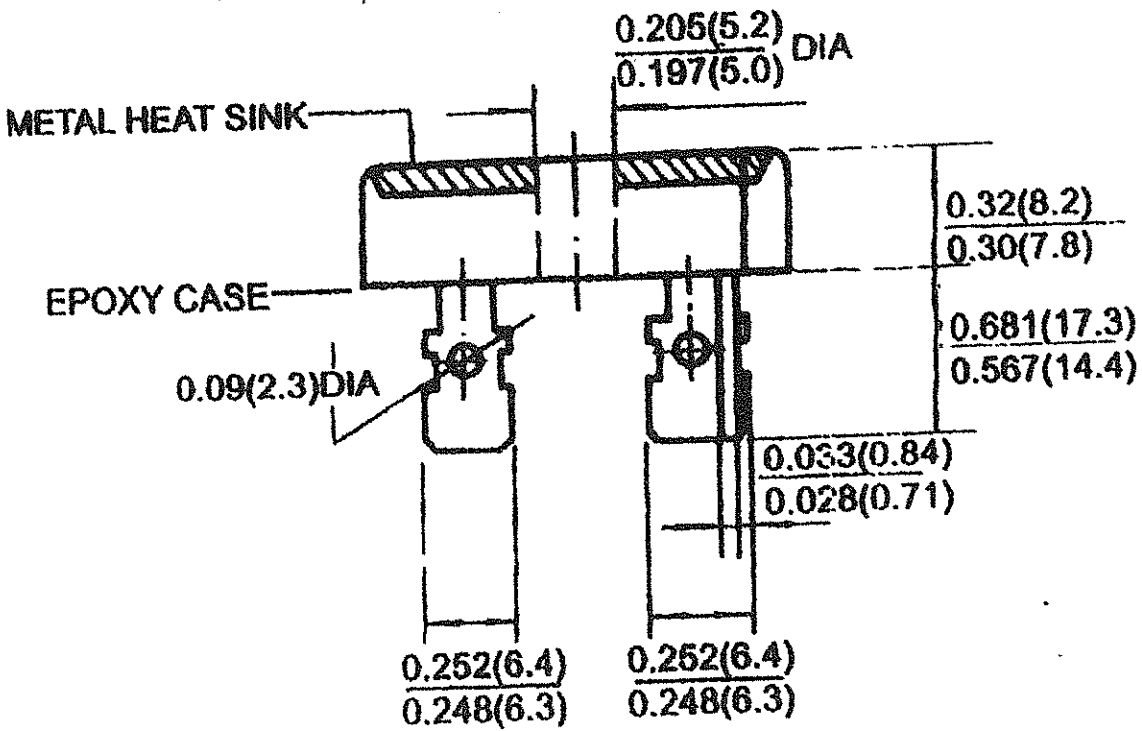
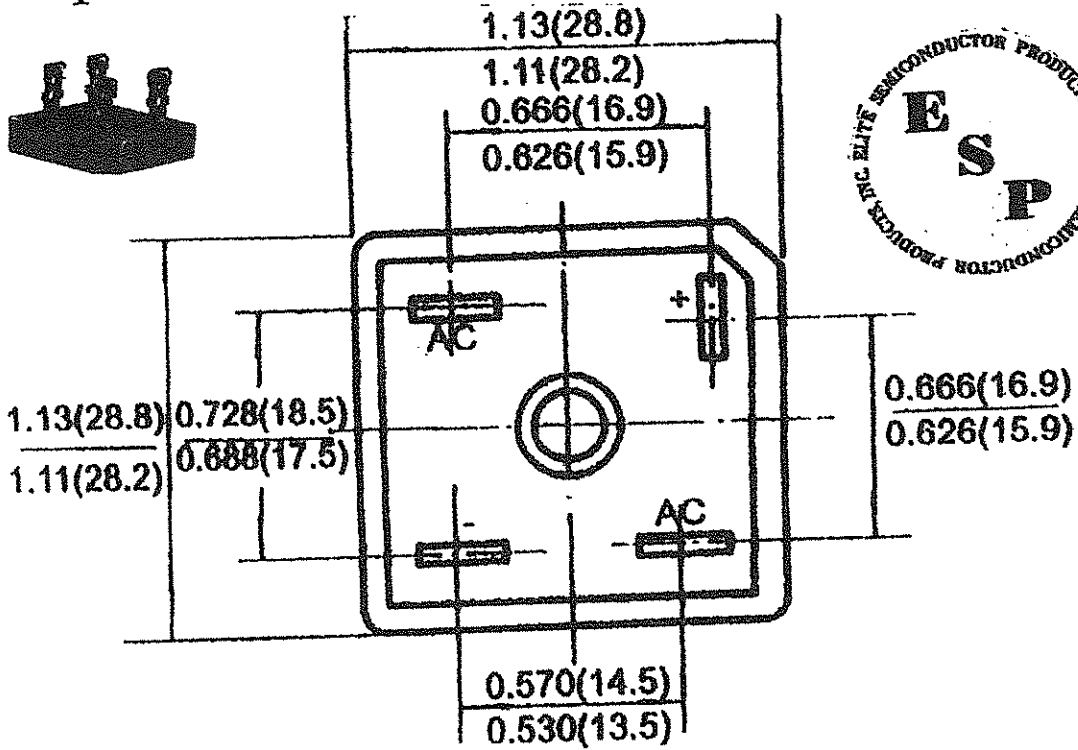
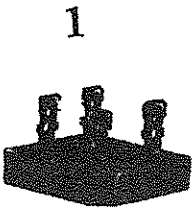
	①	FB3500	FB3501	FB3502	FB3504	FB3506	FB3508	FB3510
	②	FB3500L	FB3501L	FB3502L	FB3504L	FB3506L	FB3508L	FB3510L
V_{RRM}	Peak Recurrent Reverse Voltage (V)	50	100	200	400	600	800	1000
V_{RMS}	Maximum RMS Voltage (V)	35	70	140	280	420	560	700
V_R	Recommended Input Voltage (V)	20	40	80	125	250	380	500
$I_{F(AV)}$	Max. forward current R-load: At T case = 55 °C At T case = 90 °C With Al Square Chassis (200 cm ² x 3 mm.) Tamb = 45 °C	35 A 20 A 12 A						
I_{FRM}	Recurrent peak forward current	75 A						
I_{FSM}	10 ms. peak forward current	400 A						
I^2t	I ² t value for fusing (t = 10 ms)	800 A ² sec						
T_j	Operating temperature range	- 55 to + 150 °C						
T_{stg}	Storage temperature range	- 55 to + 150 °C						

Electrical Characteristics at Tamb = 25 °C

V_F	Max. forward voltage drop per element at $I_f = 17.5 A$	1.1 V
I_R	Max. reverse current per element at V_{RRM} d.c.	5 μA
$R_{\theta j-c}$	Typical thermal resistance junction to case	1.3 °C/W
	Isolation voltage from case to leads	2500 Vac

ELITE SEMICONDUCTOR PRODUCTS, INC.

860 North Richmond Ave. Lindenhurst, New York 11757
 PH 631-884-8400 / FX 631-884-8427 www.elitesemi.com

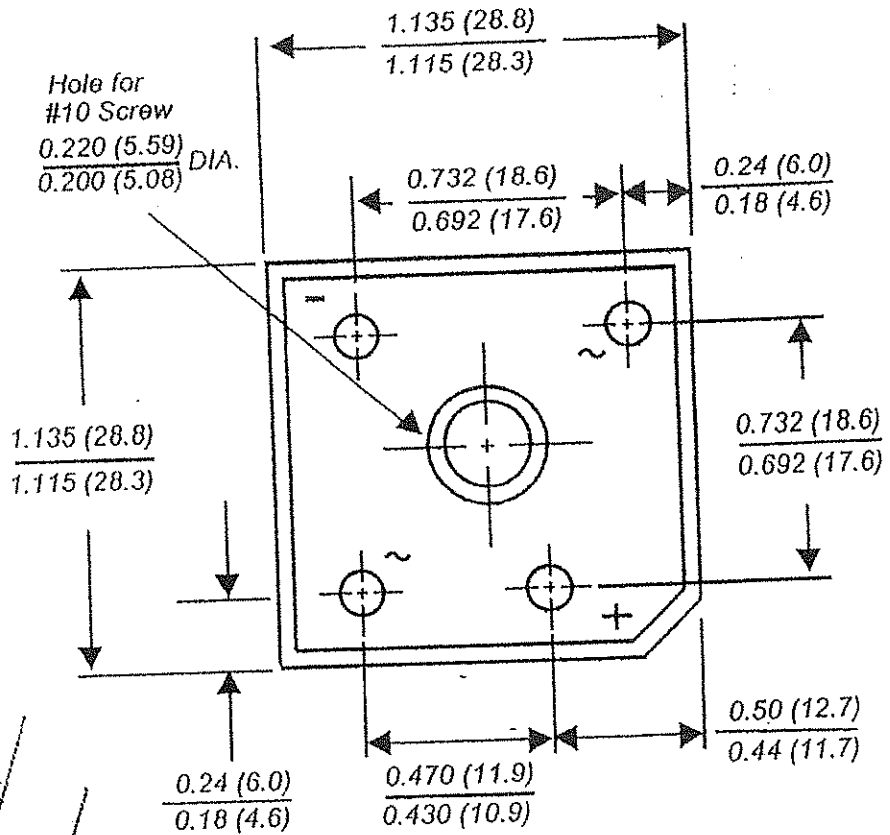


ELITE SEMICONDUCTOR PRODUCTS, INC.

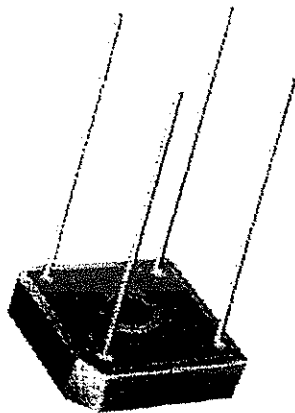
860 North Richmond Ave. Lindenhurst, New York 11757
 PH 631-884-8400 / FX 631-884-8427 www.elitesemi.com



2



Hole for #10 Screw
 0.220 (5.59) DIA.
 0.200 (5.08)



0.042 (1.07) DIA.
 0.038 (0.97)

